



FARMAG FAW LURE

REG No. L10419 Act 36 of 1947

FARMAG FAW LURE is a capsule containing a pheromone designed to attract the male Fall Armyworm moth (*Spodoptera frugiperda*) into a monitoring trap, to determine threshold numbers for spray applications, in maize and other cereal crops.

FARMAG FAW LURE is kapsule bevattende 'n feromoon om manlike Val Kommandowurm motte (*Spodoptera frugiperda*) na 'n moniteringslokval aan te lok, om sodoende die aantal manlike motte te bepaal om drempelwaardes vir spuit toedienings te bevestig, in mielies en ander graan gewasse.

ACTIVE INGREDIENT/AKTIEWE BESTANDDEEL:

Z-9-dodecnyl acetate	3.994 g/kg	Z -9- Dodekeniel asetaat
Z-11 hexadecnyl acetate		Z -11- Hexakeniel asetaat
Z-9-tetradecnyl acetate		Z- 9 - Tetrakeniel asetaat

Manufacture date:
Vervaardigingsdatum:

Batch No.:
Lotnommer:

CONTENTS/INHOUD

REGISTRATION HOLDER / REGISTRASIEHOUER

Farm-Ag International (Pty) Ltd.
Reg. No. / Nr. **2005/011761/07**
P.O. Box 1523
Durban 4000
South Africa
Tel: (031) 003 3486

UN NO. Not regulated



CAUTION
VERSIGTIG



FARMAG FAW LURE is a capsule containing a pheromone designed to attract the male Fall Armyworm moth (*Spodoptera frugiperda*) into a monitoring trap, to determine threshold numbers for spray applications, in maize and other cereal crops.

Warnings

- Store under cool conditions. Preferably in a refrigerator. do not freeze.
- Store away from food and feedstuff.
- Keep out of reach of children, uninformed persons and animals.
- We do not recommend use of these lures/traps in bee pollinated crops.
- **BEFORE YOU OPEN THE SACHET READ THE PAMPHLET IN ITS ENTIRETY**
-

DIRECTIONS FOR USE: Use only as directed

The **FARMAG FAW LURES** are designed for use in a Wing trap, with Sticky trap insert, or a Unitrap, to monitor Fall Armyworm male moth numbers on maize and other cereal crops.

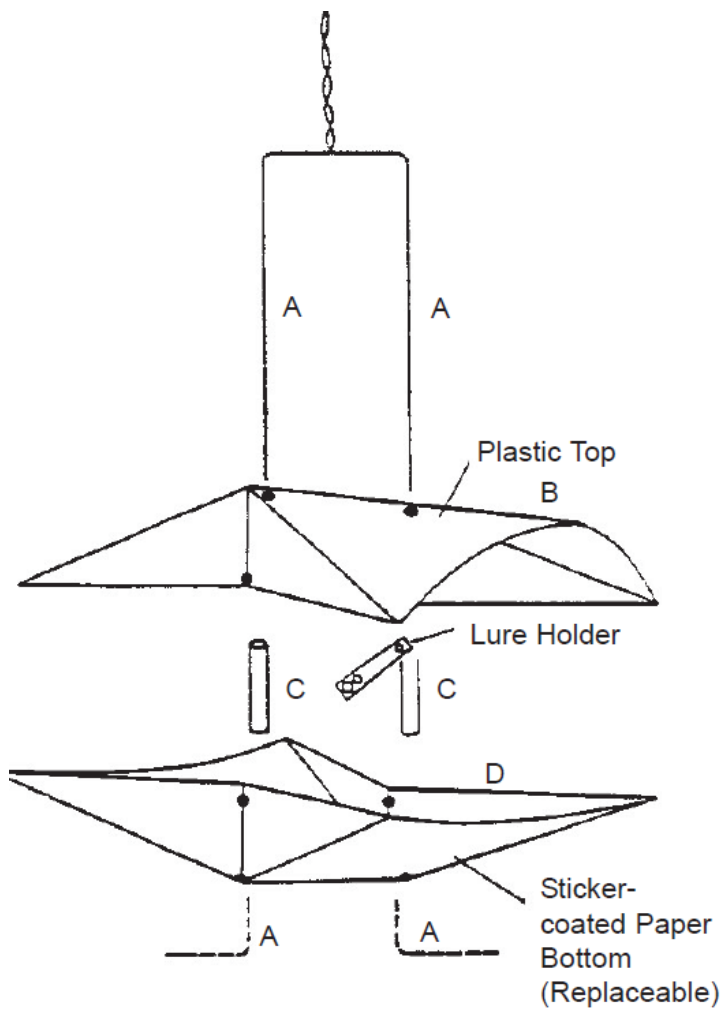


POSITIONING OF FARMAG FAW LURE

FARMAG FAW LURES can be used in combination with either a Wing trap or a Unitrap

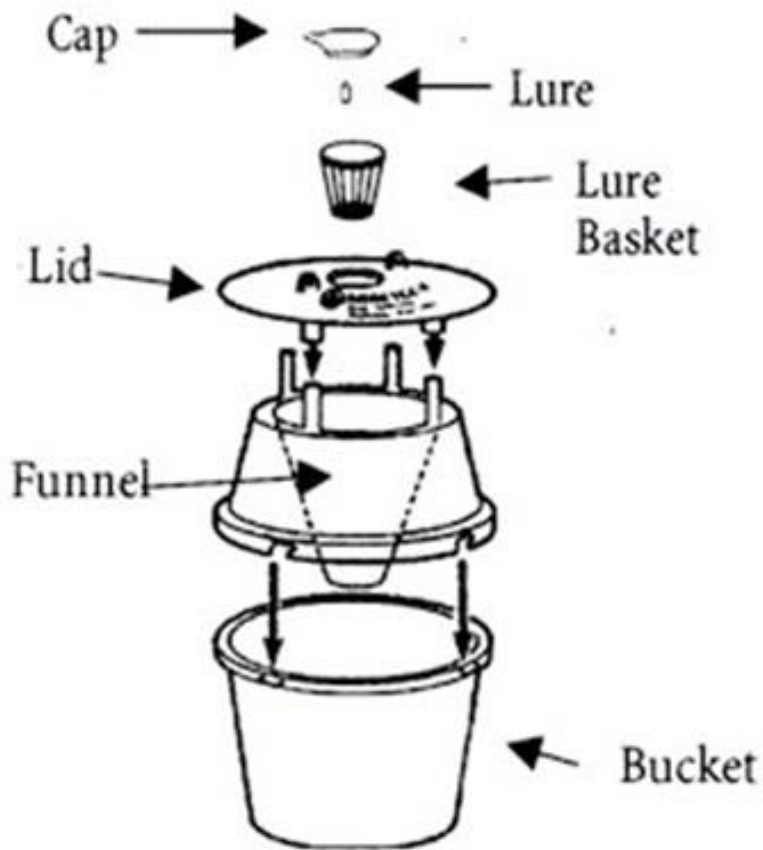
Wing Trap

- A **FARMAG FAW LURE** capsule should be placed in the centre of the sticky trap insert, which is situated at the bottom of the Wing trap.



Unitrap

- A **FARMAG FAW LURE** capsule should be placed in the lure basket in the lid of the trap.
- Half fill the trap with water. Add cooking oil or engine oil to cover the surface of the water in the trap.



POSITIONING TRAP IN FIELD:

- Monitoring traps should be placed in the field from emergence of the crop.
- Bottom of the traps should be 5-10 cm above the foliage.
- Traps should be regularly raised to maintain the height of 5 to 10 cm above the crop as the crops grow.
- Traps should be placed along the perimeter of the field and in the crop at 100m intervals in a block design.
- Each trap should be numbered for identification purposes and reference.

MONITORING

- Trap catches must be recorded weekly, preferably on the same day every week.
- After counting the moths, the moths should be removed from the traps.
- The catches of male moths are an indicator of the infestation and should be used to determine the threshold for insecticide spraying programmes.

Average Male moths /trap/week	Estimated larval density
0-5	Low
5-10	Average
10-20	High
20 upwards	Severe

INSECTICIDE SPRAYING:

Spraying of appropriate insecticide to control Fall Armyworm Larvae is recommended when average weekly catch rate exceeds 10 males/trap/week.

Identification



Fall Armyworm Adult Male Moth (Photo: Matt Bertone)



Fall Armyworm head showing inverted Y (Photo: Margaret Kieser)

Identification of Fall Armyworm can be difficult due to various pattern variations. And can be easily confused with other noctuid moth species. Samples should be sent to ARC-PPRI for positive identification.

Wingspans range for 30-40mm

Lure replacement:

Lures will last 4-6 weeks depending on environmental conditions. It is recommended to replace the lures every 4 weeks.

Restrictions:

We do not recommend use of these lures/traps in bee pollinated crops

FARMAG FAW LURE is kapsule bevattende 'n feromoon om manlike Herfs Kommandowurm motte (*Spodoptera frugiperda*) na 'n moniteringslokval aan te lok, om sodoende die aantal manlike motte te bepaal om drempelwaardes vir spuit toedienings te bevestig, in mielies en ander graan gewasse.

Waarskuwings

- Stoor onder koel toestande verkieslik in 'n yskas maar moenie vries nie.
- Bêre weg van kos, voedingstowe en voer
- Hou buite beriek van kinders, oningligte persone en diere.
- Moenie hierdie produk op gewasse wat deur bye bestuif word, gebruik nie.
- **BESTUDEER PAMFLET DEEGLIK ALVORENS U DIE PAKKIE OOPMAAK.**

GEBRUIKSAANWYING: Gebruik alleenlik soos aanbeveel.

Die FARMAG FAW LURES is vir gebruik met òf 'n WING trap met 'n Sticky trap insetsul, òf met 'n Unitrap om die Herfs kommandowurm manlike motte aantalle op mielies of ander graangewasse te bepaal.



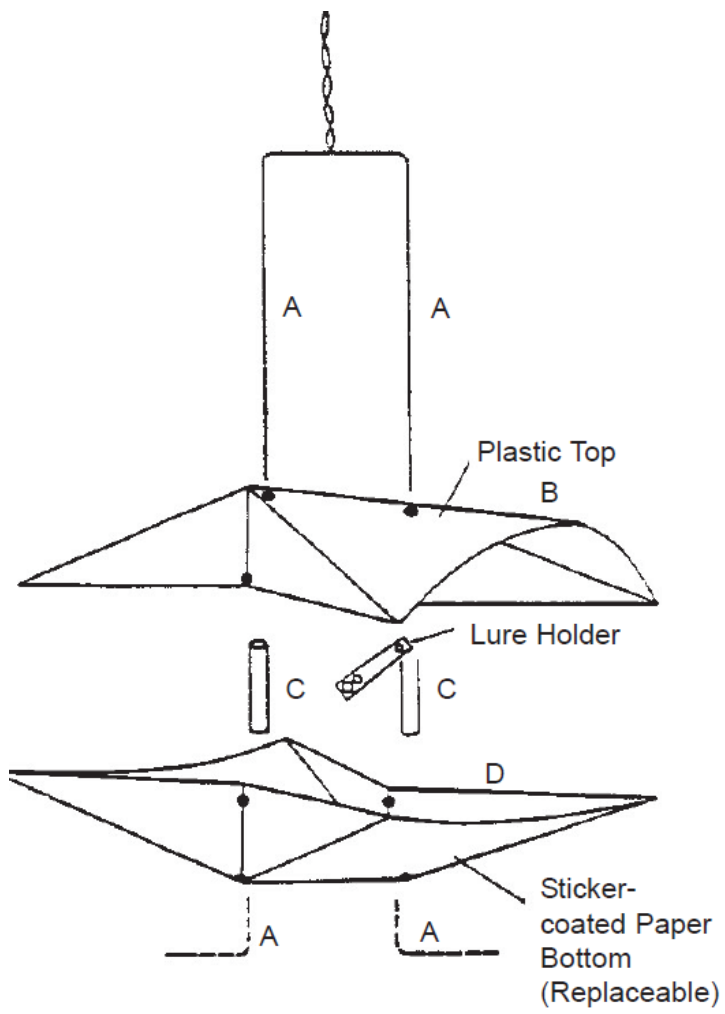
PLAASING VAN FAW LURE

FAW lure Moet In Kombinasie Met Òf 'n WING Trap Òf 'n Unitrap gebruik word.

Wing Trap

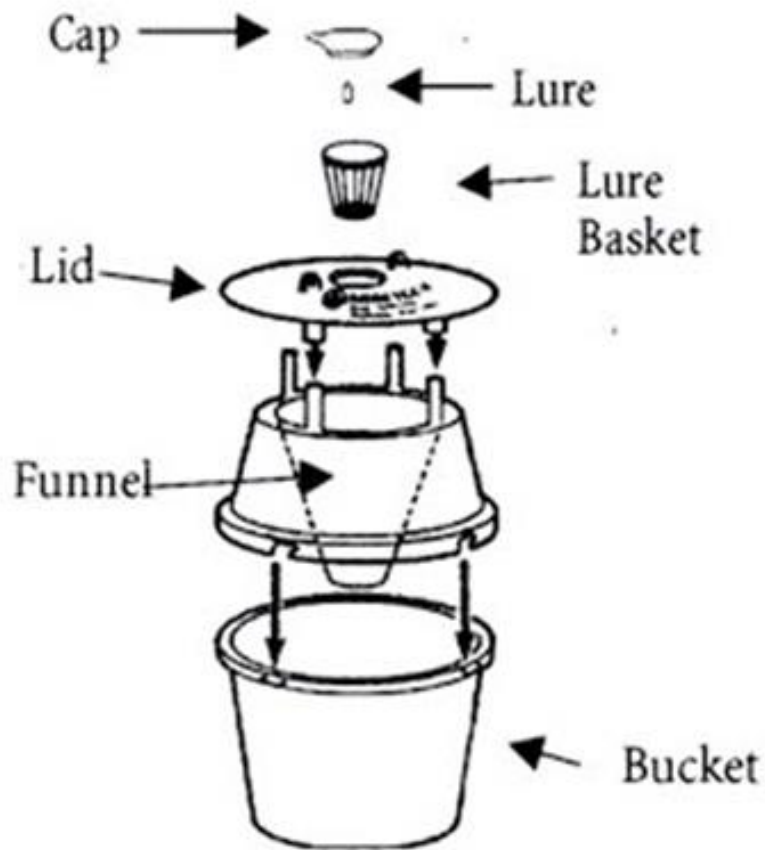
LOKMIDDEL PLASING

'n **FARMAG FAW LURE** moet in die middel van die "sticky trap" inhulsel geplaas word, wat op die bodem van die "Wing trap" gesetel is.



Unitrap

INSTRUKSIES:



LOKMIDDEL PLASING:

'n FARMAG FAW LURE moet in die lokval "maandjie" in die deksel van die lokval geplaas word.

Maak die lokval halfvol water en giet kook olie, of engine olie, op die oppervlakte van die water om 'n dun laag te vorm.

PLAASING VAN LOKVAL IN DIE LANDERYE:

- Moniteringslokvalle moet vanaf opkoms van die gewas in die landerye geplaas word.
- Die onderkant van die lokval moet 5 tot 10 cm bokant die gewas ge-positioneer wees
- Lokvalle moet gereeld hoër gestel word om die 5 to 10 cm spasie tussen die lokval en die groeiende gewas te behou.
- Lokvalle moet met tussen poses van 100m meter langs die grens van die land en ook in die land geplaas word om 'n blokwerpige patron te vorm.
- Elke lokval moet genommer wees om dit te kan identifiseer en om na dit te kan verwys.

MONITEERING

- Lokvalle moet weekliks (verkieslik op dieselfde dag) gemoniteer word.
- Nadat die motte in elke lokval getel is, moet al dié motte verwyder word.

- Die aantal manlike motte geen 'n aanduiding van die infestasië en moet gebruik word om die drempel waarde vir behandeling met 'n geskikte insekdoder te bepaal.
-

Gemiddelde Manlike Motte /lokval /week	Geskatte ruspe digtheid
0-5	Laag
5-10	Gemideld
10-20	Hoog
20 en meer	Swaar.

INSEKDODER BESPUTING

Bepuiting met 'n geskikte insekdoder om Herfs kommandowurm ruspes te beheer word aanbeveel as die gemiddelde weeklikse telling 10 of meer manlike motte per lokval per week.

IDENTIFIKASIE

Herfs Kommandowurm volwasse mannetjie mot
(Photo: Matt Bertone)



© MATT BERTONE 2014

Herfs Kommandowurm larf kop wat vorm
strepe wys. (Photo: Margaret Kieser)



Herfs Kommandowurm is moeilik identifiseerbaar aangesien verskeie patrone voorkom. Dit kan maklik met ander mot spesies verwaar word. Monsters kan na die LNR-Instituut vir Plantbeskerming gestuur word vir korekte identifikasie.

Vlerke lengte kan van 30-40mm wees

FAW LURE vervang siklus:

FAW LURES sal omtrent 4-6 weke hou afhangend van weersomstandighede.

Daar word aanbeveel dat elke 4 weke vervang word.

BEPERKINGS:

Moenie FAW LURES op gewasse wat deur bye bestuif word, gebruik nie.